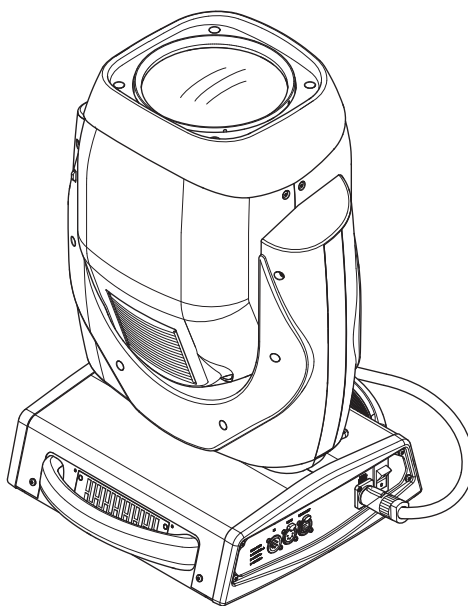


INSTRUCTION MANUAL



INDEX	
Page	Contents
2	Safety Information
3	Unpacking and preparation
4	Installation and start-up
5	Control panel
7	Maintenance
13	Technical information
14	Cause and solution of problems

Congratulations on choosing a Claypaky product!

We thank you for your custom.

Please note that this product, as all the others in the rich Claypaky range, has been designed and made with total quality to ensure excellent performance and best meet your expectations and requirements.

SAFETY INFORMATION

EN

SAFETY INFORMATION

IMPORTANT: Claypaky recommends you carefully read and keep the safety information on this product, also available in digital format at the following link:

<http://www.claypaky.it/en>

Ref: [FIS00H – Safety Information Mythos - Supersharpy]

IT

INFORMAZIONI DI SICUREZZA

IMPORTANTE: Claypaky raccomanda di leggere accuratamente e conservare le informazioni di sicurezza relative a questo prodotto, sempre reperibili in versione digitale al seguente link:

<http://www.claypaky.it/en/download>

Rif: [FIS00H – Safety Information Mythos - Supersharpy]

DE

INFORMATIONEN ZUR SICHERHEIT

WICHTIG: Claypaky empfiehlt, die Sicherheitsinformationen bezüglich dieses Produkts genau zu lesen und aufzubewahren. Sie sind in Digitalversion immer unter folgendem Link auffindbar:

<http://www.claypaky.it/en/download>

Ref: [FIS00H – Safety Information Mythos - Supersharpy]

ES

INFORMACIONES DE SEGURIDAD

IMPORTANTE: Claypaky recomienda leer detenidamente y conservar la información de seguridad relativa a este producto. Además, está disponible una versión digital de la misma en el siguiente enlace:

<http://www.claypaky.it/en/download>

Ref: [FIS00H – Safety Information Mythos - Supersharpy]

FR

CONSIGNES DE SÉCURITÉ

IMPORTANT: Claypaky recommande de lire attentivement et de conserver les informations de sécurité relatives à ce produit, disponibles en version digitale au lien suivant:

<http://www.claypaky.it/en/download>

Réf. : [FIS00H – Safety Information Mythos - Supersharpy]

RU

ИНСТРУКЦИЮ ПО ТЕХНИКЕ БЕЗОПАСНОСТИ

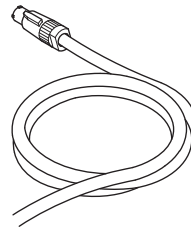
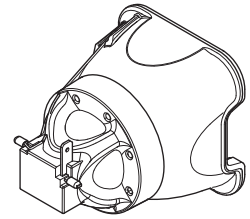
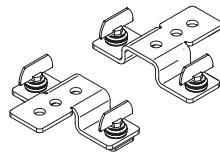
ВАЖНО: Клаураку рекомендует внимательно прочитать и сохранить инструкцию по технике безопасности данного изделия, которая всегда доступна в электронном формате по следующей ссылке:

<http://www.claypaky.it/en/download>

Наименование: [FIS00H – Safety Information Mythos - Supersharpy]

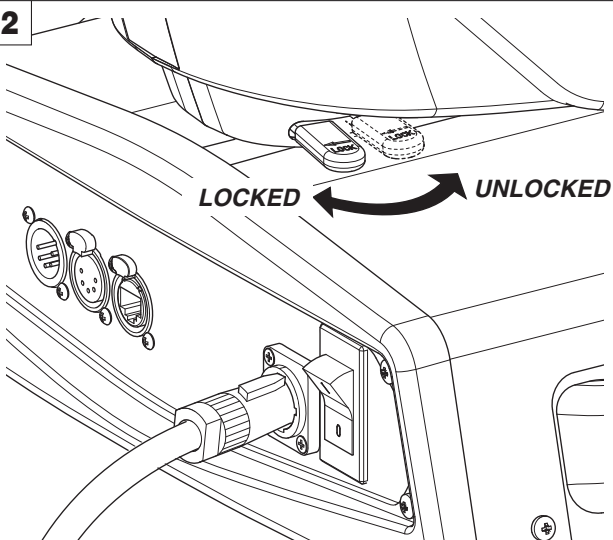
UNPACKING AND PREPARATION

1



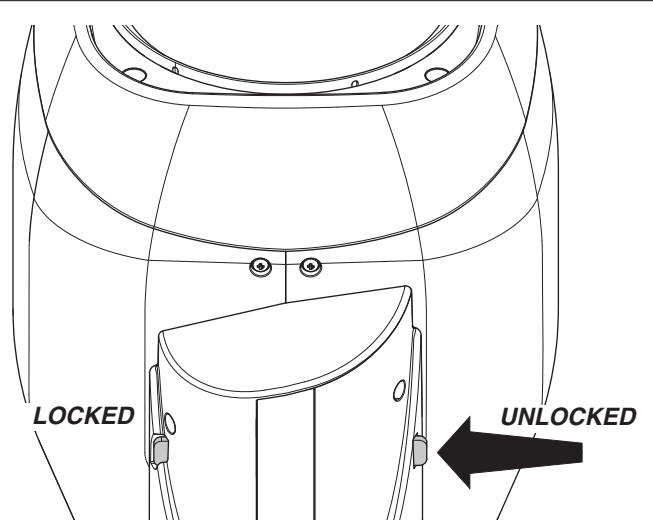
Packing contents - Fig. 1

2



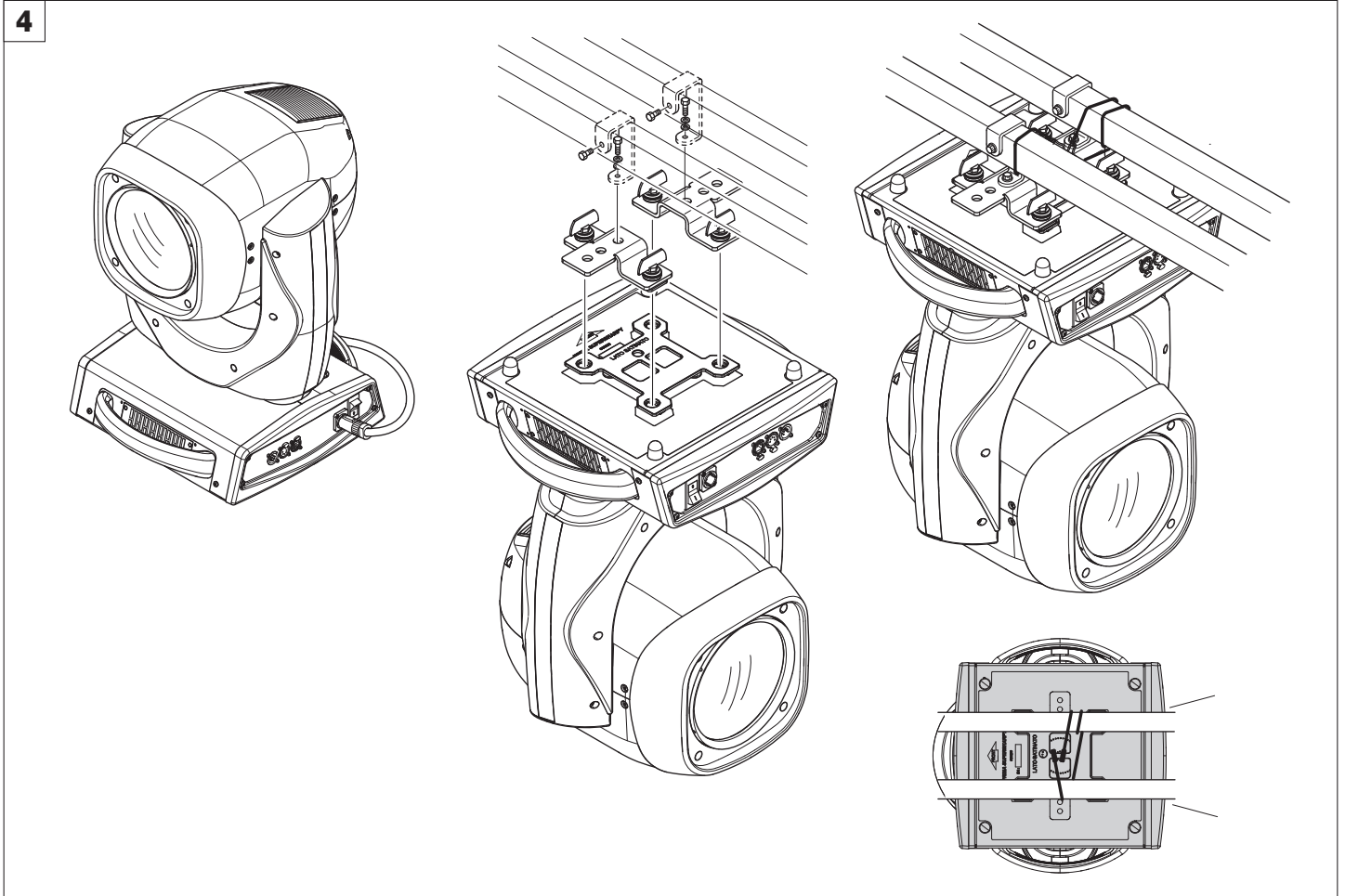
PAN Mechanism Lock and Release (every 90°) - Fig. 2

3



TILT Mechanism Lock and Release (every 45°) - Fig. 3

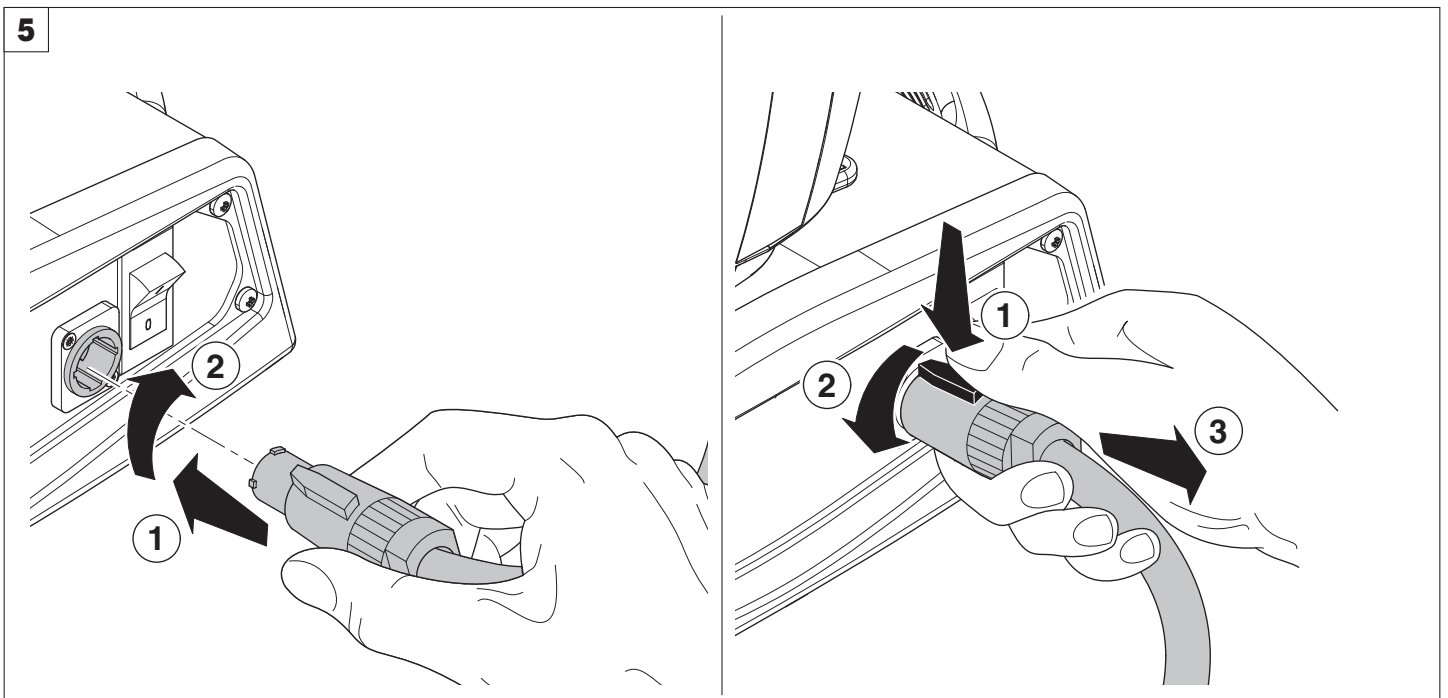
INSTALLATION AND START-UP



Installing the projector - Fig. 4

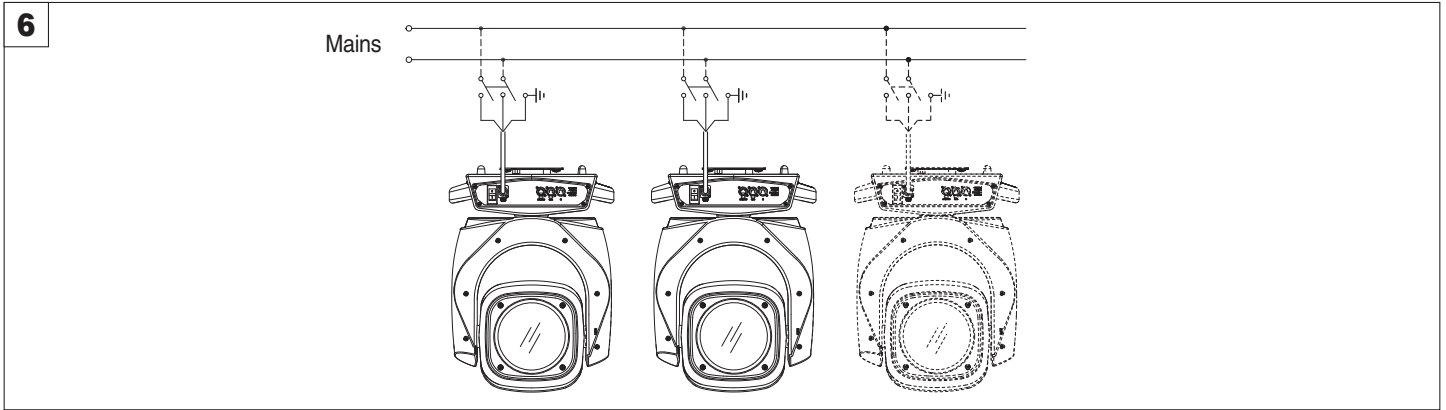
The projector can be installed on the floor resting on special rubber feet, on a truss or on the ceiling or wall.

WARNING: with the exception of when the projector is positioned on the floor, the safety cable must be fitted. (Cod. 105041/003 available on request). This must be securely fixed to the support structure of the projector and then connected to the fixing point at the centre of the base.

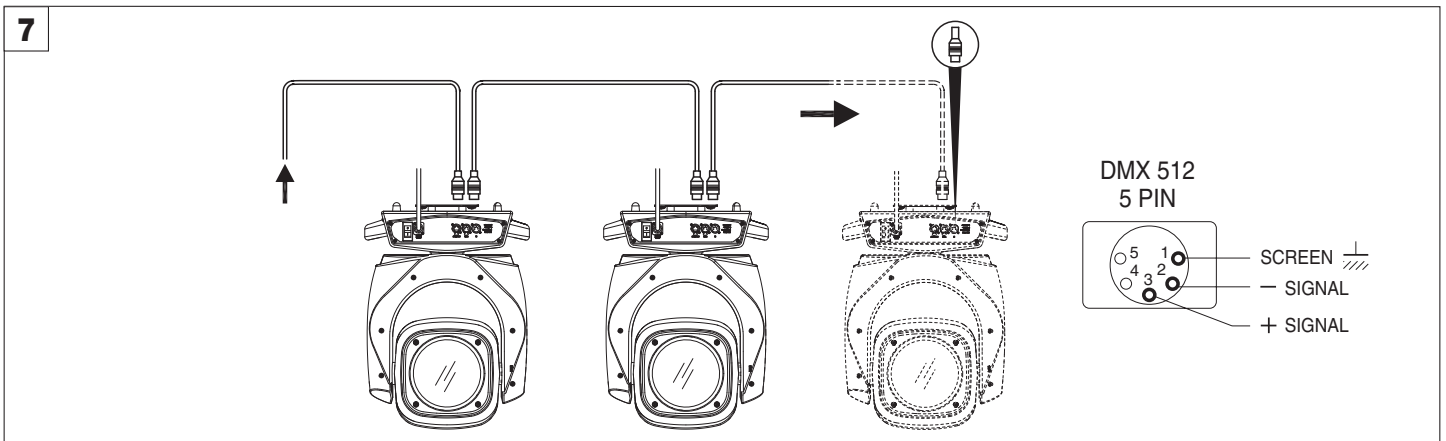


Connecting and disconnecting power cable - Fig. 5

CONTROL PANEL



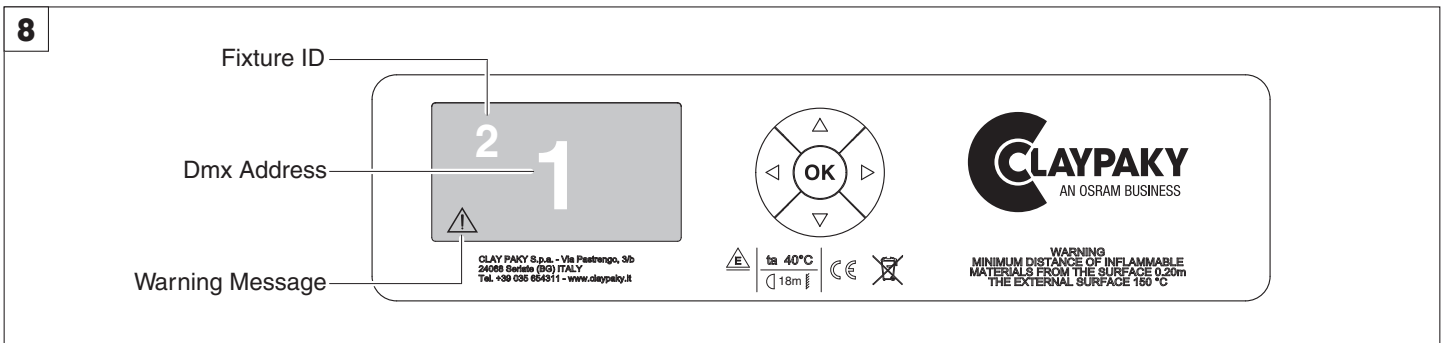
Connecting to the mains supply - Fig. 6



Connecting to the control signal line (DMX) - Fig. 7

Use a cable conforming to specifications EIA RS-485: 2-pole twisted, shielded, 120Ohm characteristic impedance, 22-24 AWG, low capacity. Do not use microphone cable or other cable with characteristics differing from those specified. The end connections must be made using XLR type 5-pin male/female connectors. A terminating plug must be inserted into the last projector with a resistance of 120Ohm (minimum 1/4 W) between terminals 2 and 3.

IMPORTANT: The wires must not make contact with each other or with the metal casing of the connectors. The casing itself must be connected to the shield braid and to pin 1 of the connectors.



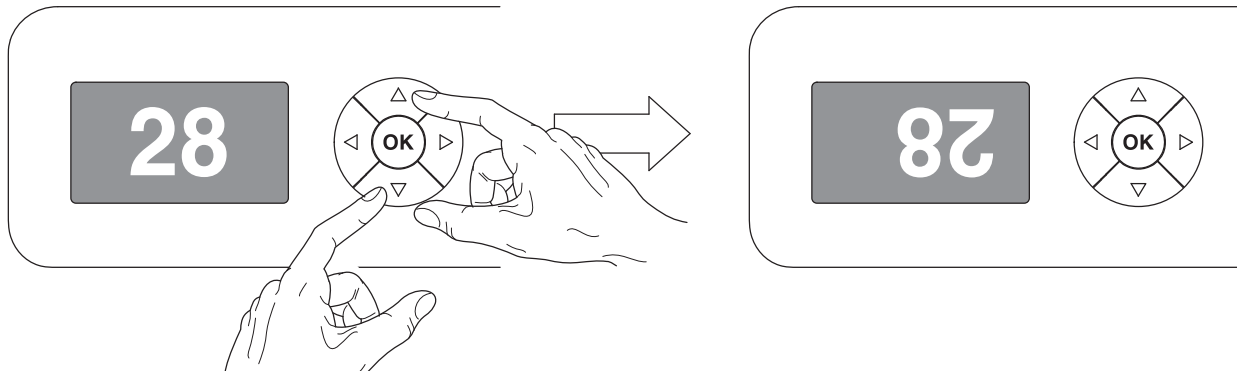
Switching on the projector - Fig. 8

Press the switch. The projector starts resetting the effects. At the same time, the following information scrolls on the display:

	Model MYTHOS	Firmware Version X.X.X Date - Hour	xxx (Fixture ID) Dmx Address xxx	System errors E: W:
--	------------------------	---	--	--

On conclusion of resetting in case of absence of the dmX signal, Pan and Tilt move to the "Home" position (Pan 128 bit - Tilt 128 bit). The control panel (Fig. 8) has a display and buttons for the complete programming and management of the projector menu. The display can be in one of two conditions: rest status and setting status. When it is in the rest status, the display shows the projector's DMX address and the Fixture ID address (if set).

During menu setting status, after a wait time (about 30 seconds) without any key having been pressed, the display automatically returns to rest status. It should be noted that when this condition occurs, any possible value that has been modified but not yet confirmed with the **OK** key will be cancelled.



Reversal of the display - Fig. 9

To activate this function, press UP ▲ and DOWN ▼ keys simultaneously while the display is in the rest mode. This status will be memorised and maintained even for the next time it will be switched on. To return to the initial state, repeat the operation all over again.

Setting the projector starting address

On each projector, the starting address must be set for the control signal (addresses from 1 to 512).

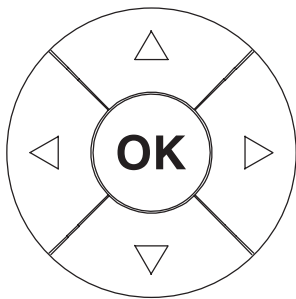
The address can also be set with the projector switched off.

Setting the projector Fixture ID

On each projector, the Fixture ID address must be set for an easy identification of the fixtures in an installation (ID from 1 to 255).

The Fixture ID address can be set with the projector switched off.

Functions of the buttons - Using the menu



Confirms the displayed value, or activates the displayed function, or enters the successive menu.



DOWN

Decreases the value displayed (with auto-repetitions) or passes to the next item in the menu.



UP

Increases the value displayed (with auto-repetitions) or passes to the previous item in a menu.



LEFT

Return to the top level



RIGHT

Commute from units, tens, hundreds, in the "Address", "Fixture ID" and "Calibration" menu.

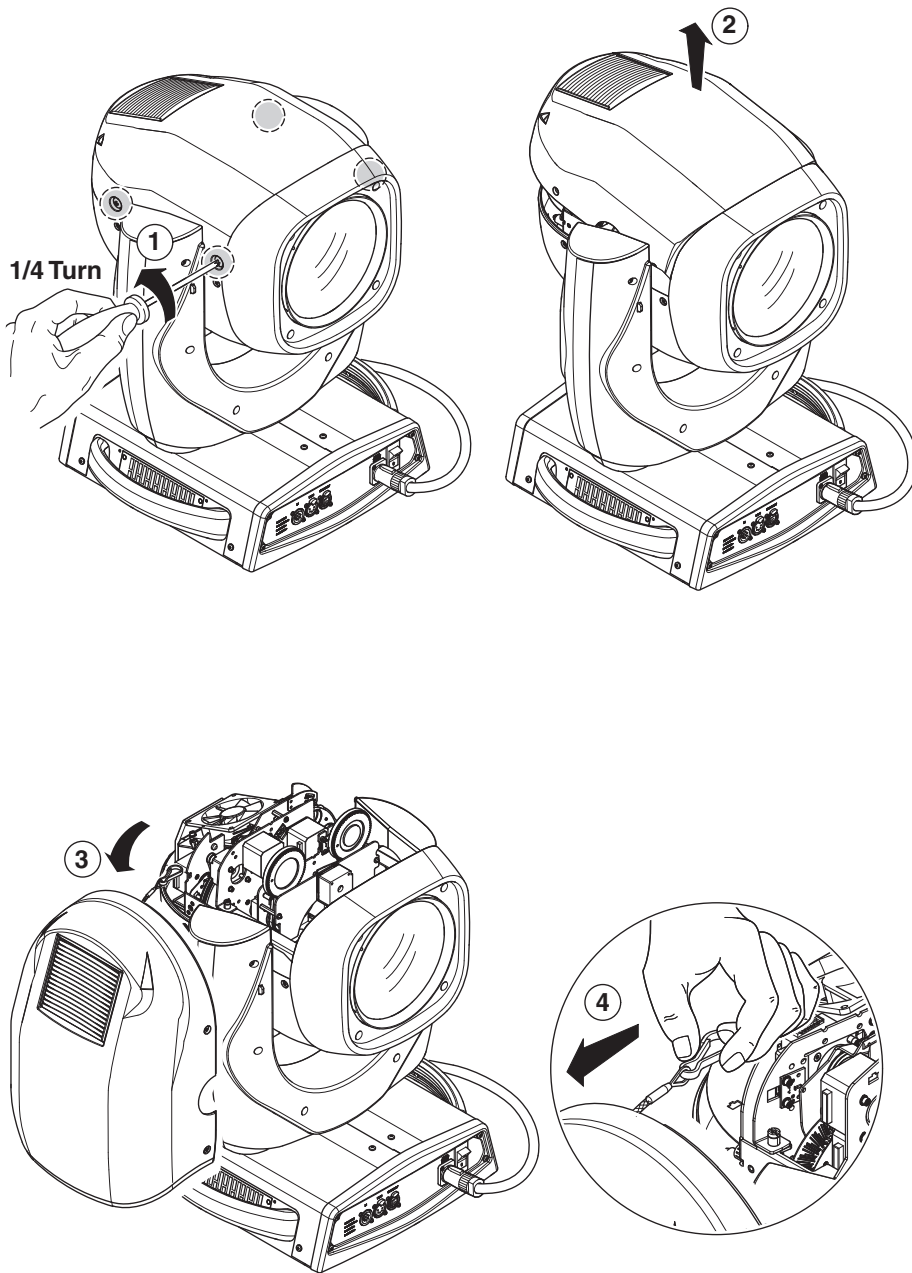
USING THE MENU:

- 1) Press **OK** once – "Main Menu" appears on the display.
- 2) Use the UP ▲ and DOWN ▼ keys to select the menu to be used:
 - Setup (Setup Menu): To set the setting options.
 - Option (Option Menu): To set the operating options
 - Informations (Informations Menu): To read the counters, software version and other information.
 - Manual Control (Manual control Menu): To trigger the test and manual control functions.
 - Test (Test Menu): To check the proper functioning of effects
 - Advanced (Advanced Menu): Access to the "Advanced menu" is recommended for a trained technical personnel.
- 3) Press **OK** to display the first item in the selected menu.
- 4) Use the UP ▲ and DOWN ▼ keys to select the MENU items.

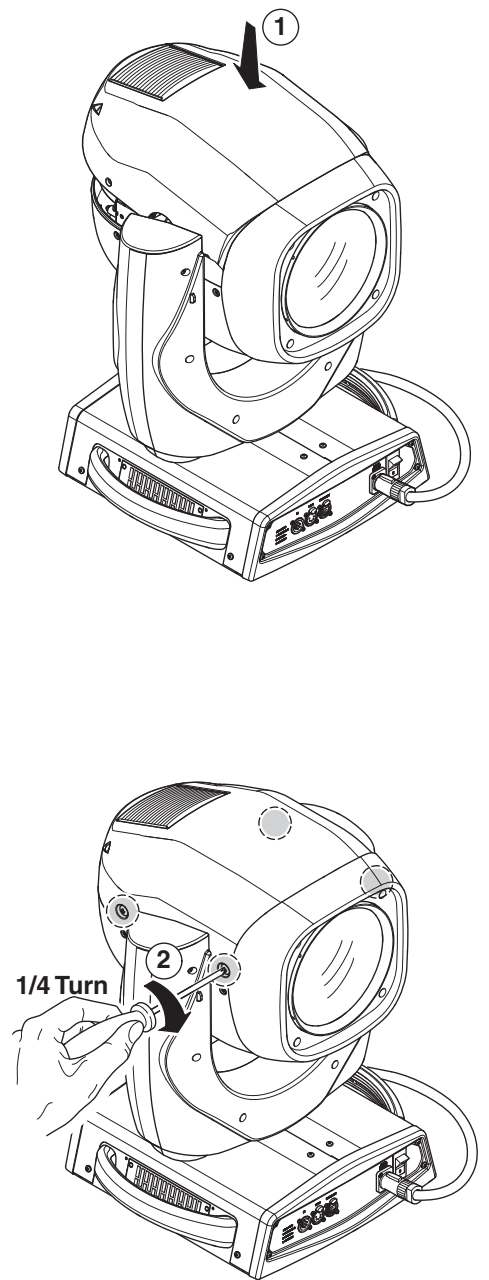
Setting addresses and options with the projector disconnected

The projector's DMX address, as well as other possible operating options, can also be set when the appliance is disconnected from the electricity supply. All that is needed is to press **OK** to momentarily activate the display and thus access the settings. Once the required operations have been carried out, the display will switch off again after a wait time of 30 seconds.

10



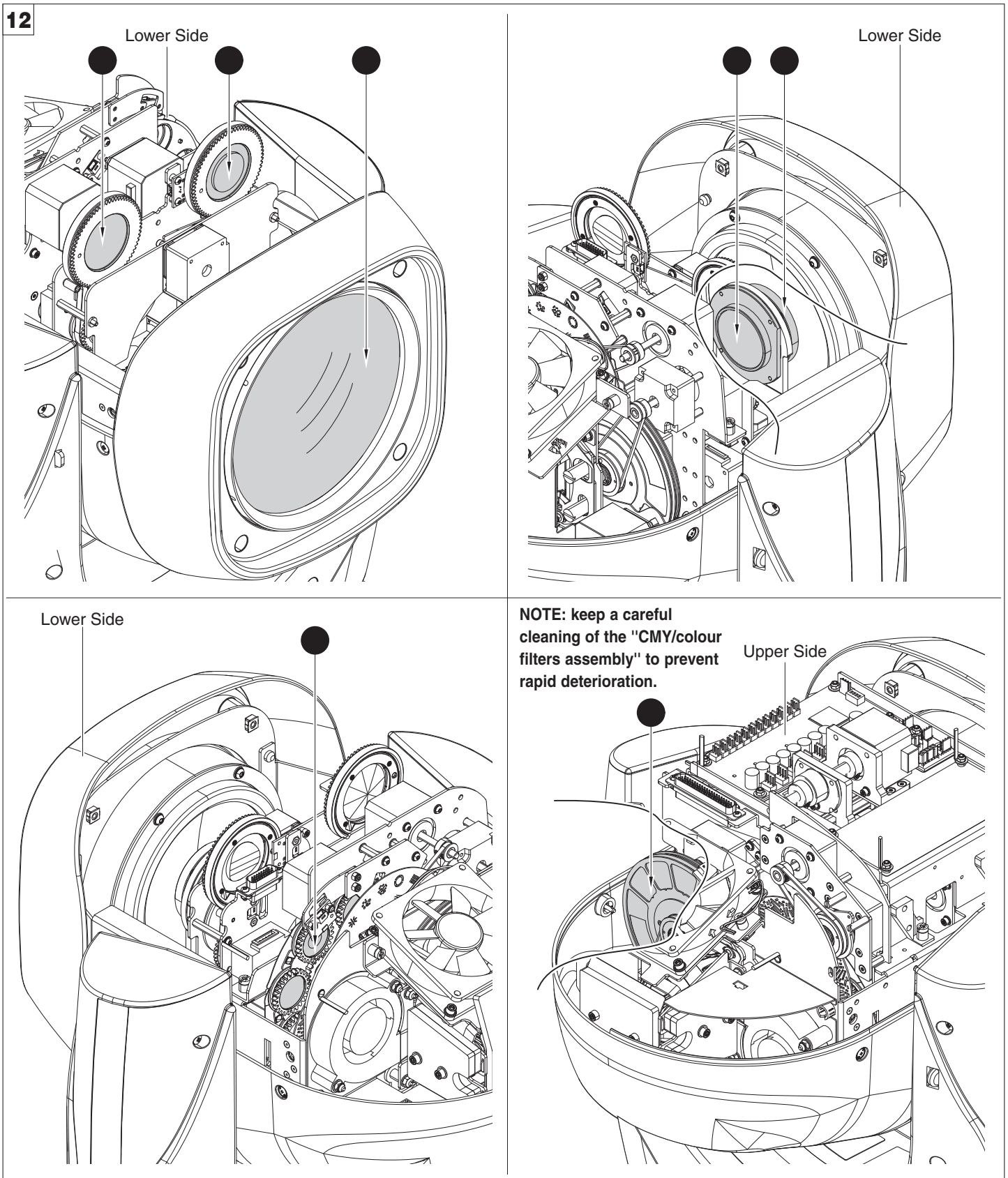
11



Locking and releasing Pan and Tilt movements - Refer to the instructions in the UNPACKING AND PREPARATION section.
 Opening the head covers - Fig. 10.

Closing the head covers - Fig. 11.

12



Periodical cleaning - Fig. 12

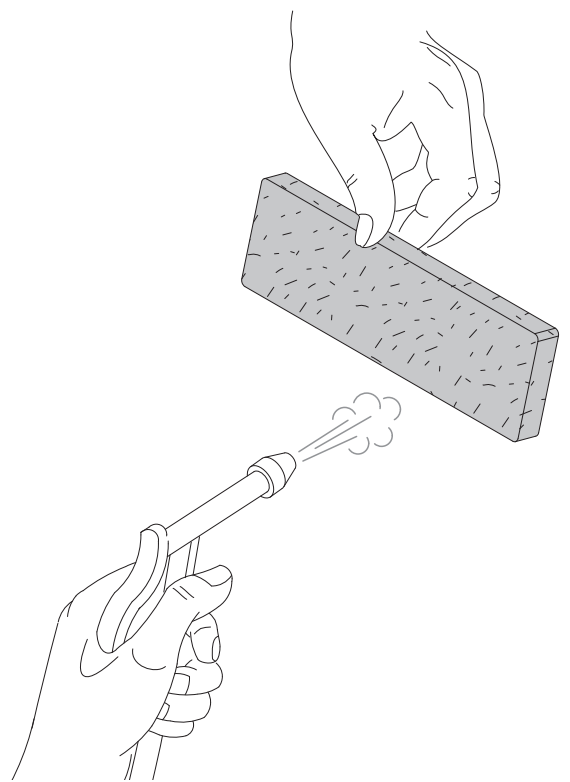
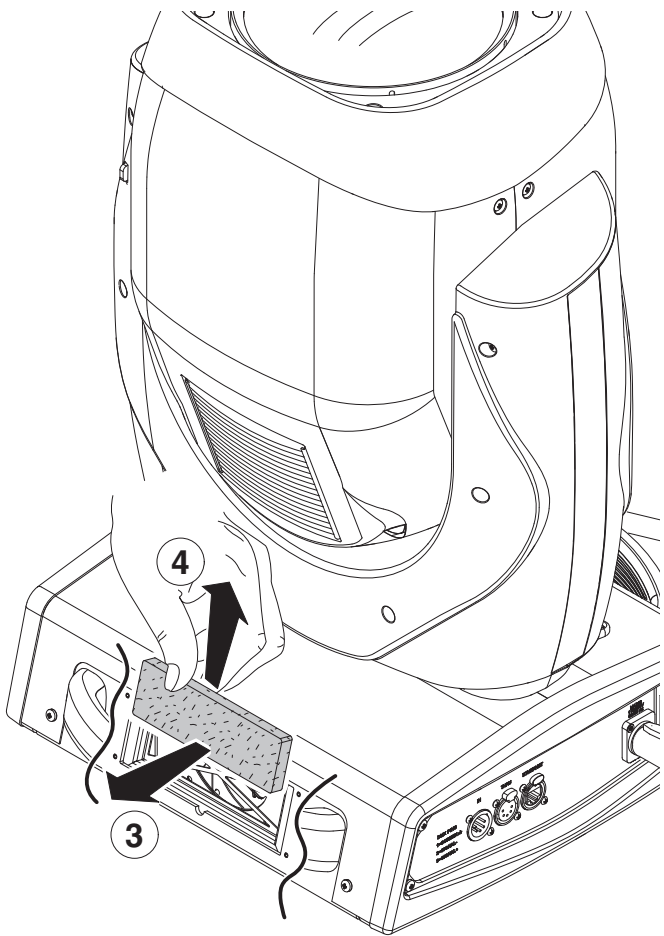
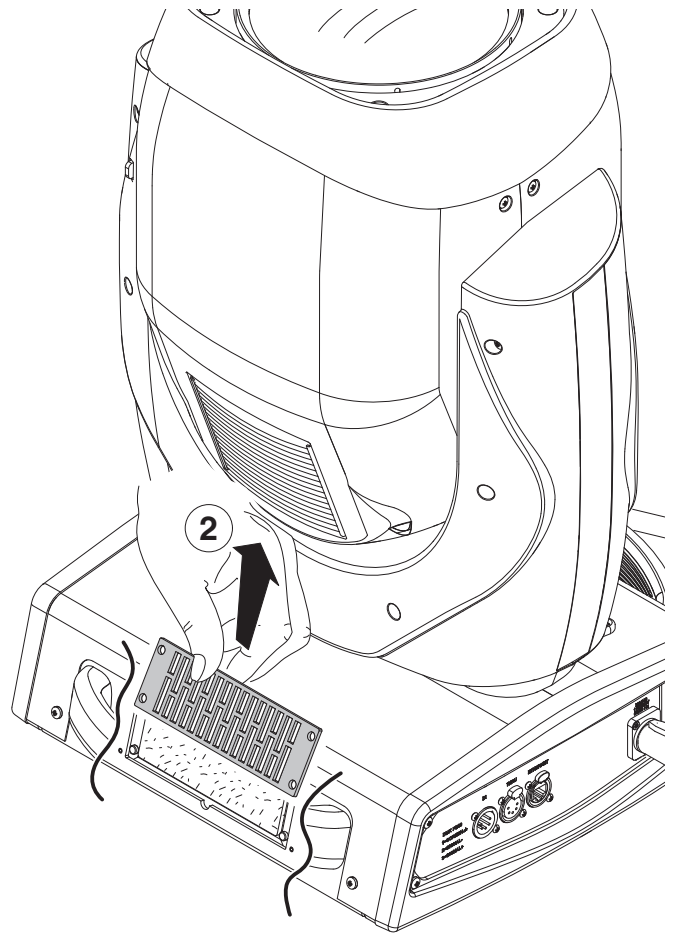
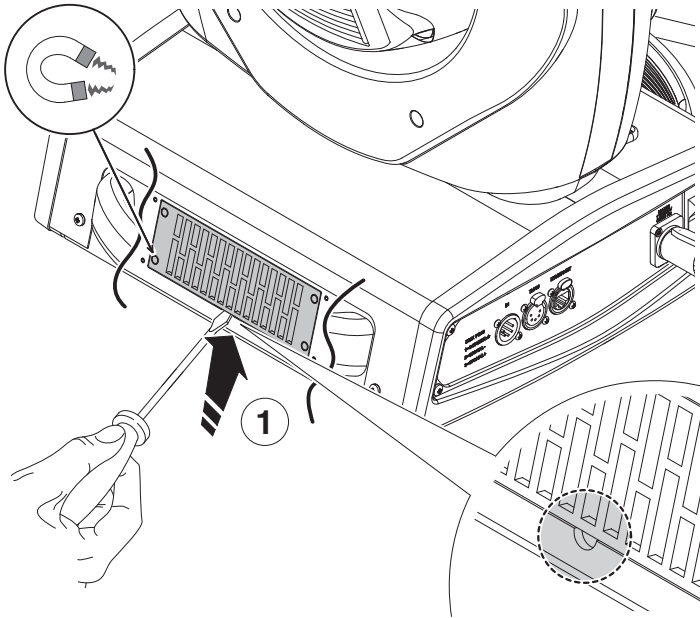
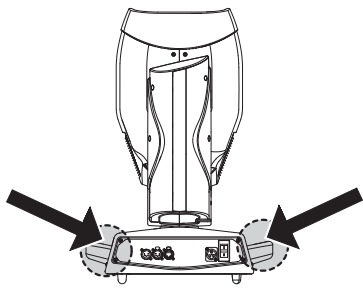
To ensure optimal operation and performance for a long time it is essential to periodically clean the parts subject to dust and grease deposits. The frequency with which the following operations are to be carried out depends on various factors, such as the amount of the effects and the quality of the working environment (air humidity, presence of dust, salinity, etc.).

Use a soft cloth dampened with any detergent liquid for cleaning glass to remove the dirt from the reflectors, from the lenses and filters. It is recommended that the projector undergoes an annual service by a qualified technician for special maintenance involving at least the following operations:

- General cleaning of internal parts.
- Restoring lubrication of all parts subject to friction, using lubricants specifically supplied by Claypaky.
- General visual check of the internal components, cabling, mechanical parts, etc.
- Electrical, photometric and functional checks; eventual repairs.

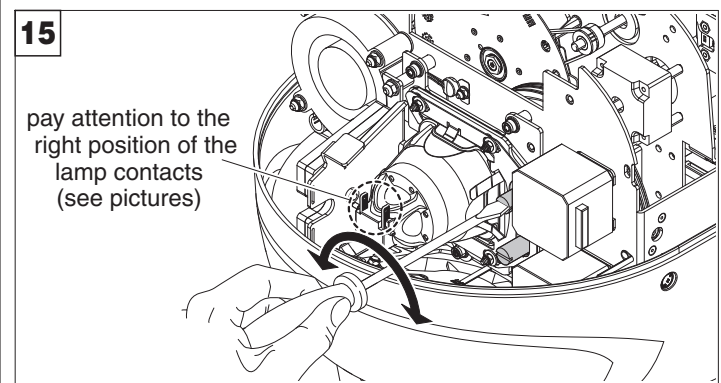
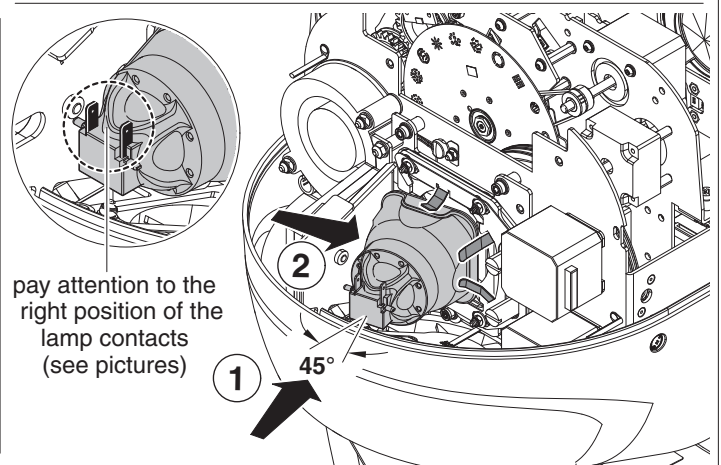
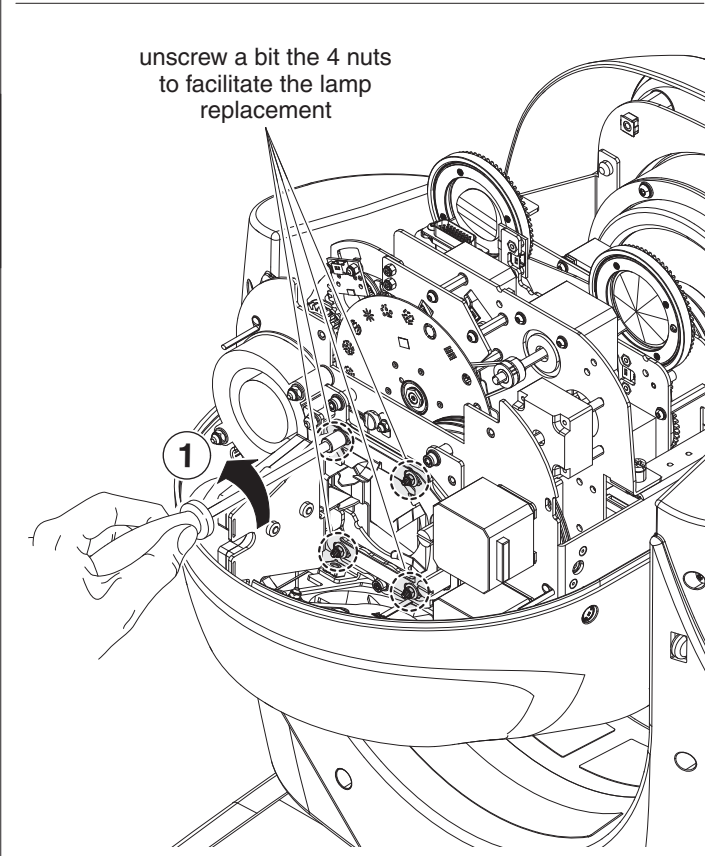
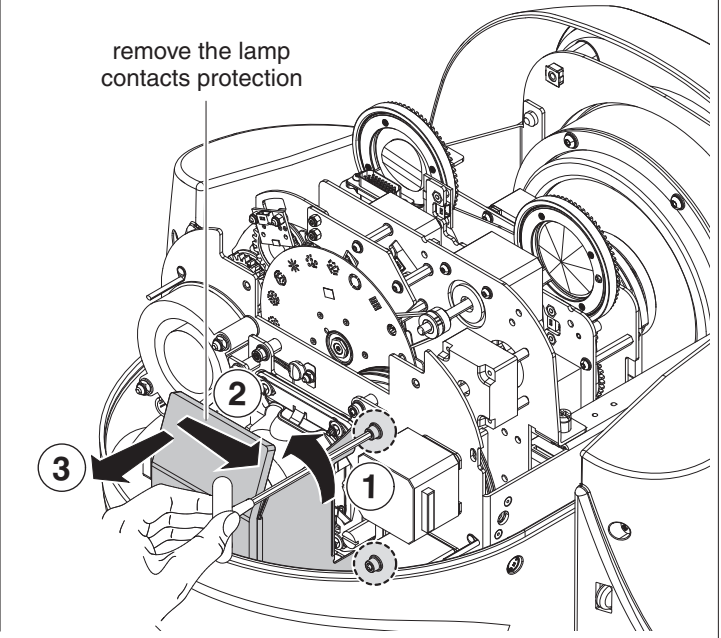
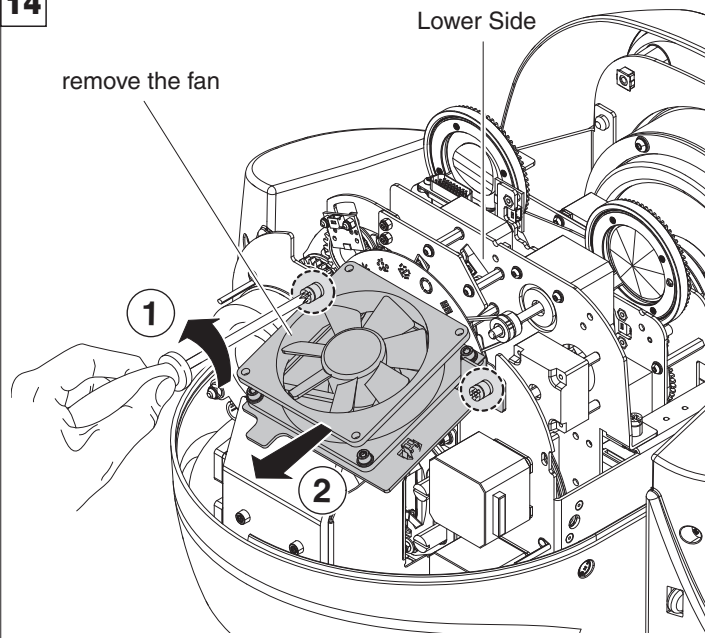
NOTE: keep a careful cleaning of the "CMY/colour filters assembly" to prevent rapid deterioration.

13



Cleaning of the filters - Fig. 13.

14



Lamp change - Fig 14.

Take the new lamp out of its package and insert in the fitting.

WARNING: *do not touch the lamp's envelope with bare hands. Should this happen, clean the bulb with a cloth soaked in alcohol and dry it with a clean, dry cloth.*

Lamp regulation - Fig. 15

To centre the lamp, turn the adjusting screw as shown in the figure.

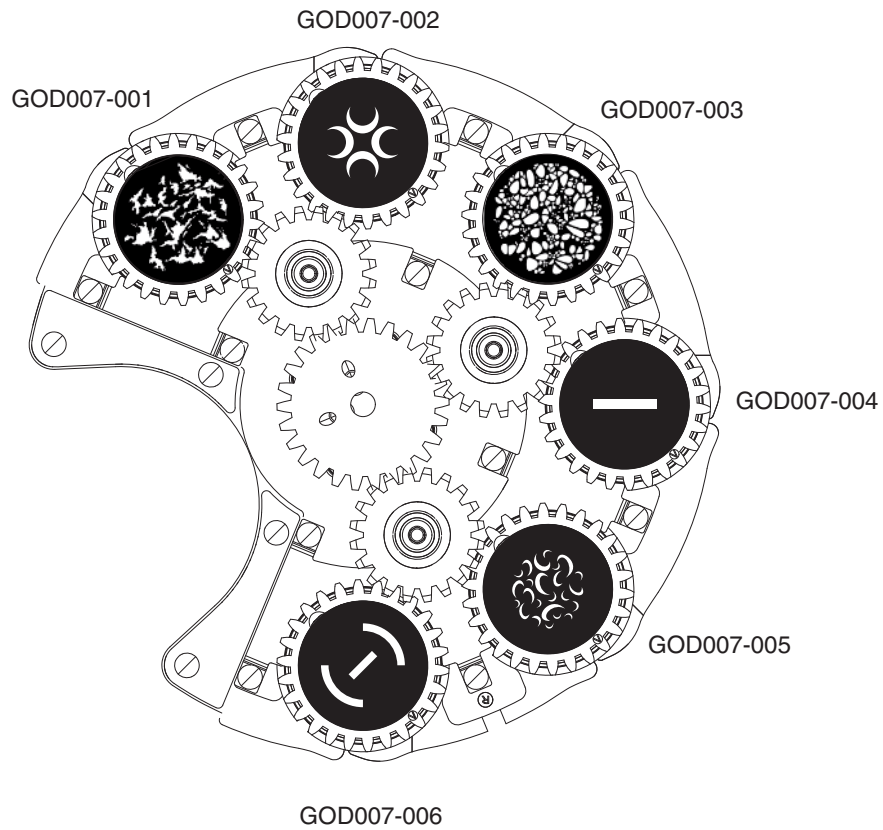
WARNING: *The lamp must be adjusted with the projector switched off. After adjusting, close the effects covers, switch on the projector and check that the adjustment has been correctly made. If necessary, switch off the projector, remove the effects covers and repeat lamp adjustment.*

REMARK:

- Lifetime of the lamp will be influenced by the switching cycle.
- After a successful starting, attempt to keep the lamp burning for at least 15 minutes in order to complete the chemical cycle of the lamp to secure the lifetime.
- Before switch off the fixture, is necessary to keep closed the dimmer channel for at least 5 seconds, this is to ensure a better working / reliability of the lamp itself (it is recommended to turn off the lamp when it is dimmed).

WARNING:

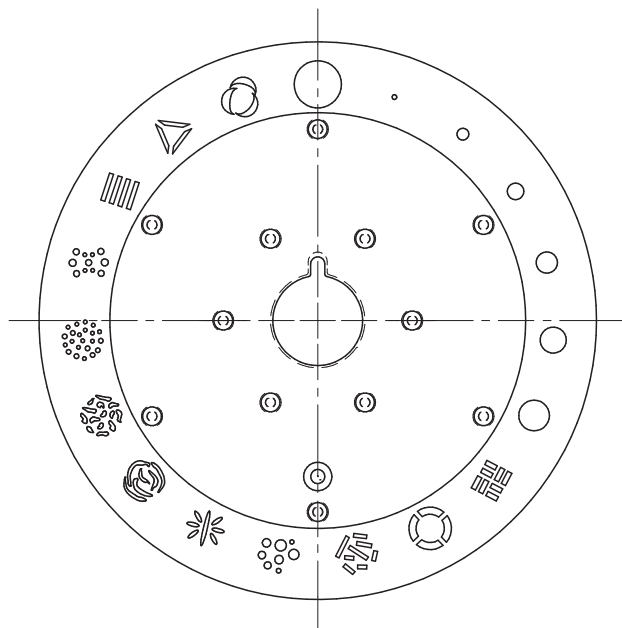
- The projector needs to be positioned so that the objects hit by the beam of light are at least 18 metres (59'1") from the lens of the projector. A "Soft filter" is available (Channel 4 - Colour1 - DMX bit=50) when this "Soft Filter" is into the beam, the projector can be used at a minimum distance of 12 metres from illuminated objects.



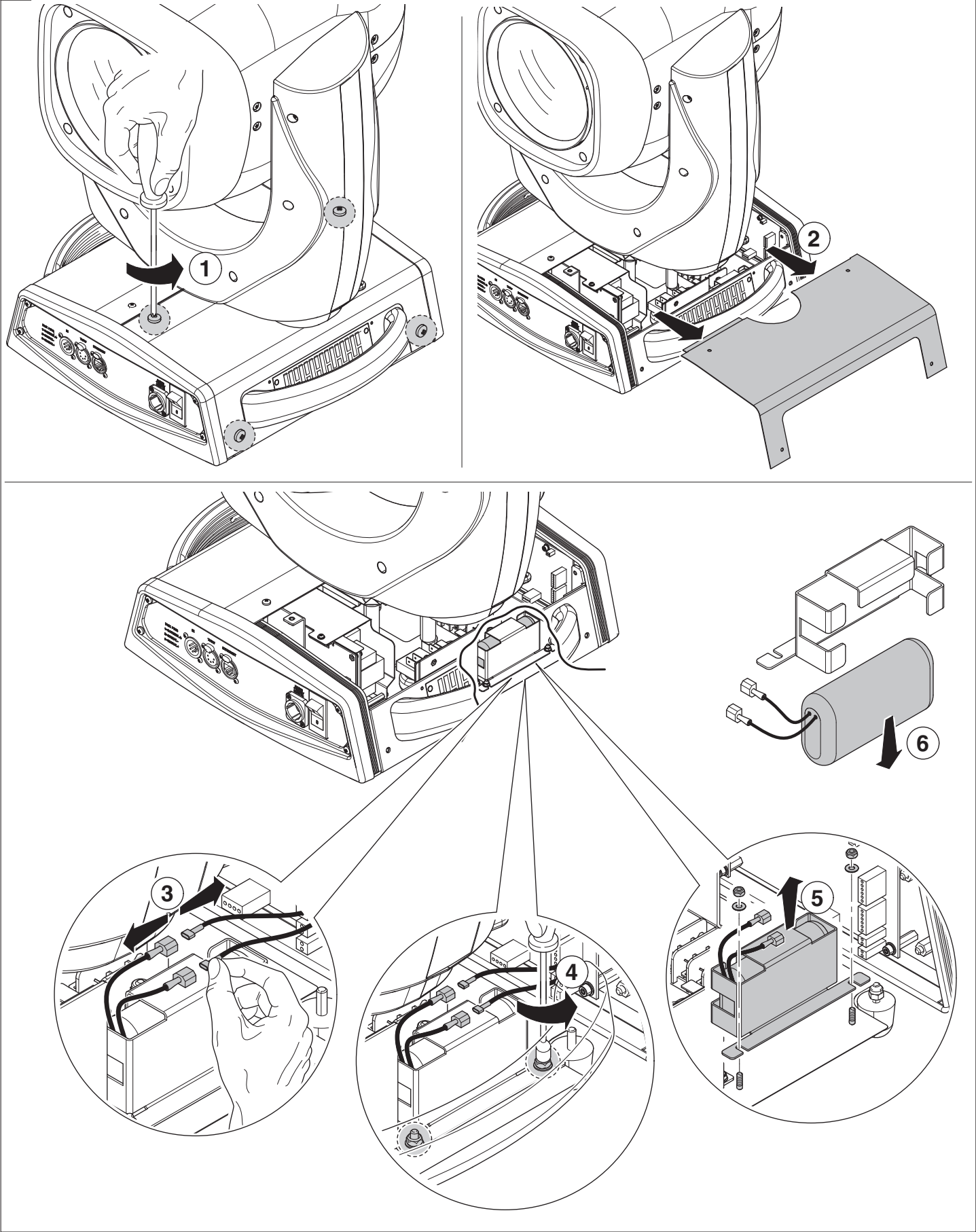
Rotating gobo wheel - Fig. 15.

ATTENTION:


- Before use custom gobos contact Claypaky
- The original gobos have a special coating designed specifically to resist to the high temperatures
- The rotating gobo wheel only use dichroic glass gobos (it is not possible to use metal gobos)
- For more information contact Claypaky



Static gobo wheel cod. 298510/801 - Fig. 16.

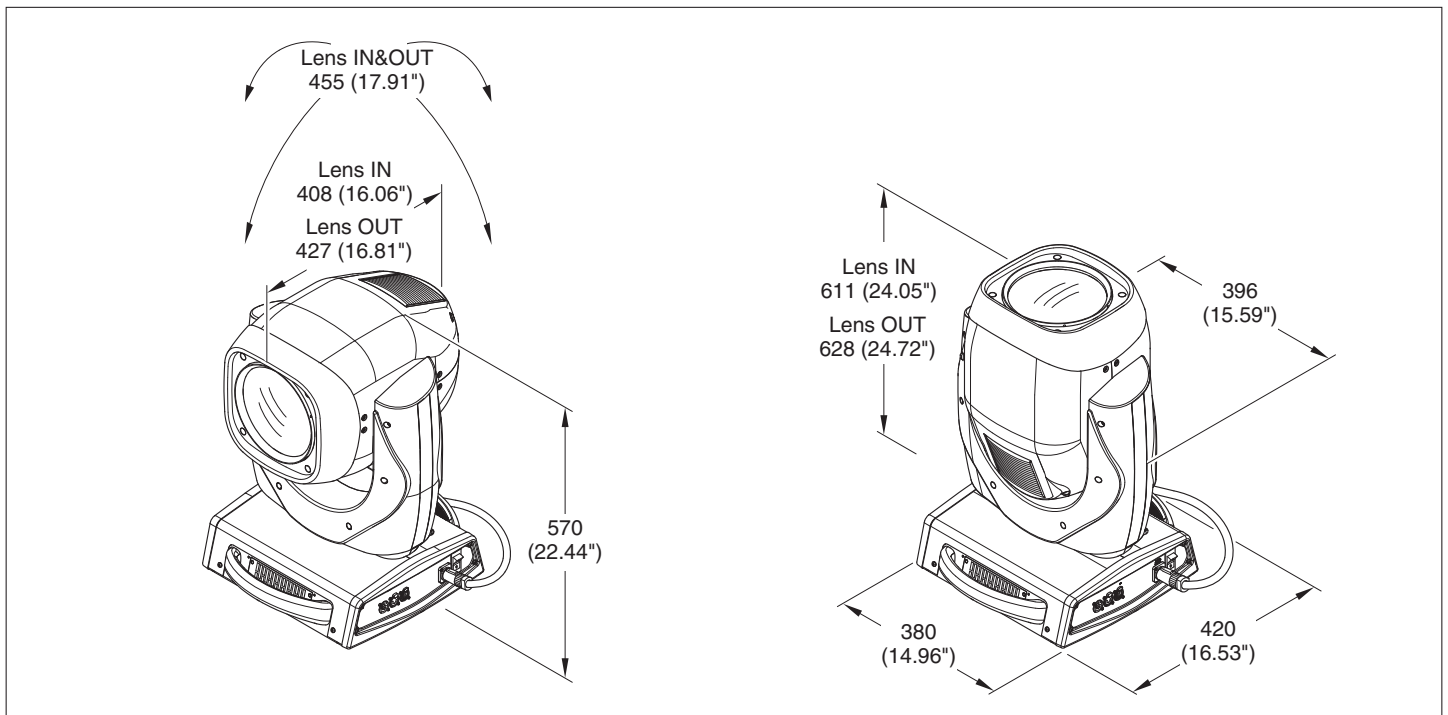


Battery removal - Fig. 17

 This product contains a rechargeable lithium iron tetraphosphate battery. To preserve the environment, please dispose the battery at the end of its life according to the regulation in force.

LiFePO4

TECHNICAL INFORMATION



Power supplies

- 115/230V 50/60 Hz
- Automatic Power supply switching

Input power

700VA at 230V 50Hz

Total lumen output

Max 24.000 lumens

Light source Mythos

470W discharge lamp

- Type: Philips MSD Platinum 20RB - LAM00K
- Life: 1,500hrs
- Luminous flux: 23.000 lm
- Cap by faston TM 250 (6.35 mm)

Light source Mythos2

440W discharge lamp

- Type: Osram SIRIUS HRI® 440W - LAM00J
- Life: 1,500hrs
- Luminous flux: 23.000 lm
- Cap by faston Tyco 187 (4,8 mm)

Motors

20 stepper motors, operating with microsteps, totally microprocessor controlled.

Channels

30/34 control channels.

Inputs

- DMX 512
- Ethernet

Moving body

Automatic repositioning of PAN and TILT after accidental movement not controlled by control unit.

PAN

- Angle Rotation: 540°
- Fast speed: 3.517 sec
- Normal Speed: 4.038 sec
- Resolution PAN: 2.11°
- Resolution PAN FINE: 0.008°

Accuracy:

Resolution ± 0,3° (Range 0,6°)

TILT

- Angle Rotation: 244°
- Fast speed: 2.180 sec
- Normal Speed: 2.274 sec
- Resolution TILT: 0.96°
- Resolution TILT FINE: 0.004°

Accuracy:

Resolution ± 0,3° (Range 0,6°)

Noise level

50 dBA

Weight

32 Kg (70.54 lbs)

IP rating

- IP20
- Protected against the entry of solid bodies larger than 12mm (0.47").
- No protection against the entry of liquids.

Safety devices

- Bipolar circuit breaker with thermal protection.
- Automatic break in power supply in case of overheating or failed operation of cooling system.

Cooling

Forced ventilation with fans.

Body

- Aluminium structure with plastic cover.
- Two side handles for transportation.
- Device locking PAN and TILT mechanisms for transportation and maintenance.

Working position

- Any Working Position
- Hanging system: with fast-lock omega clamps (1/4 turn) on the base

Optics

- 157mm diam. front lens
- Electronic focusing for a perfectly sharp light beam along its entire length
- Zoom ranging from 4,5° to 30,8° for fixed gobos sharp focusing
- Zoom range from 6,5° to 47,3° for rotating gobos sharp focusing
- BEAM mode with 2,5° aperture and "pipe" effect

Color system

- CMY color system based on 3 gradually fading color wheels
- 11 color filters on three wheels
- 2 CT0 filters (3,200K and 2,500K) + 1 CTB filter

Effects section

- 2 gobo wheels
- Wheel with 6 HQ dichroic, indexable and interchangeable rotating gobos.
- Interchangeable and variable rotation wheel with 18+1 fixed metal gobos (including 6 beam reducers).
- Selectable gobo-shake function
- Advanced Visual Effect Disc (Animation disc)
- 2 indexable and interchangeable rotating prisms (8-facet and linear prism)
- Frost unit to soften the beam edge
- 0-100% Mechanical dimmer
- Mechanical shutter and adjustable speed strobe effect

Control and programming

- 30/34 DMX 512 control channels
- DMX protocol signal: USITT DMX 512
- Display: Graphic LCD backlit b/w Display
- Pan/Tilt Resolution: 16 bit
- Gobo Indexing Resolution: 16 bit
- Focus Indexing Resolution: 16 bit
- Dimmer Resolution: 16 bit
- Movement control: vectorial
- DMX signal connection: 3 and 5 pole XLR input and output
- Software upload through DMX input

Electronics

- Long life self-charging buffer battery.
- Pre-set macros.
- Function reset from control unit
- ON/OFF lamp control from the lighting desk.
- Function reset from the lighting desk.
- "AUTOTEST" function from menu
- ETHERNET Ready.
- Electronic monitoring with status error
- Cooling system monitoring
- DMX level monitoring on all channels
- Internal data transmission diagnostics
- Firmware Upgrade with no power
- Firmware upload from another fixture

CAUSE AND SOLUTION OF PROBLEMS

THE PROJECTOR WILL NOT SWITCH ON			<i>PROBLEMS</i>
ELECTRONICS NON-OPERATIONAL			
DEFECTIVE PROJECTION			
REDUCED LUMINOSITY			
		<i>POSSIBLE CAUSES</i>	<i>CHECKS AND REMEDIES</i>
●		No mains supply.	Check the power supply voltage.
●	●	Lamp exhausted or defective.	Replace the lamp. (See instructions).
●		Signal transmission cable faulty or disconnected.	Replace the cables.
●		Incorrect addressing.	Check addresses (see instructions).
●		Fault in the electronic circuits.	Call an authorised technician.
	●	Lenses or reflector broken	Call an authorised technician.
	● ●	Dust or grease deposited.	Clean (see instructions).

